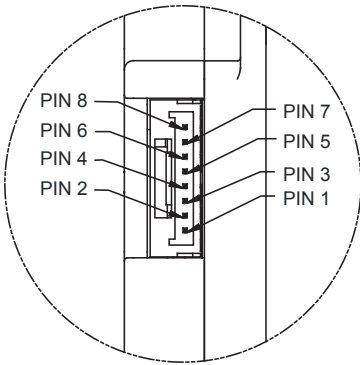
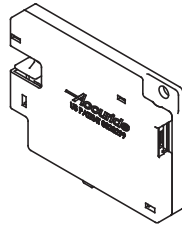


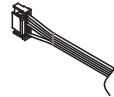
Power Requirements and Connectors



SM08B-GHS-TB (JST lock connector)



GHR-08V-S (JST cable connector)



WIRE	COLOR	OEM Cable
8	RED	PWR (+) Varies by model**
7	GREY	PWR (-) Ground
6	GREY	Trigger : See Note 3
5	GREY	Jumper connection for TR only
4	GREY	Drawer Status
3	GREY	For internal use only, do not use*
2	GREY	For internal use only, do not use*
1	GREY	Secure Status

TECHNICAL DATA

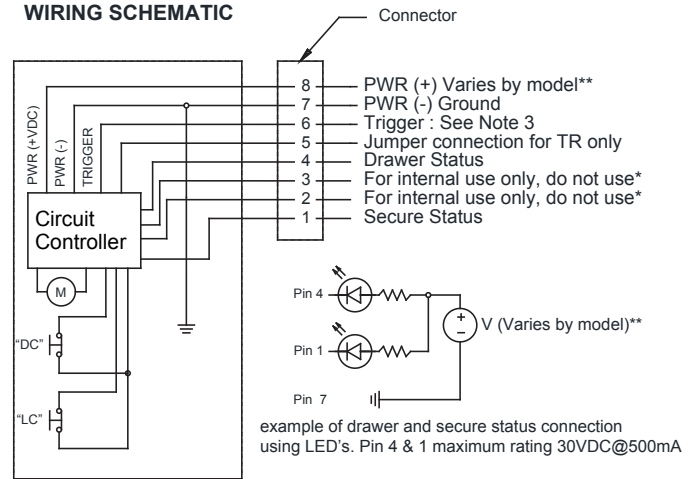
Internal Sensor Specifications

Mechanical Life : 300,000 cycles
(Drawer Contact "DC")
(Lock Contact "LC")

Notes:

- Drawer status output:
Drawer open : = "Open"
Drawer closed : = "Ground"
- Secure status output:
Lock is unsecure : = "Open"
Lock is secure : = "Ground"
- +5VDC to +24VDC Max or +6VDC to +24VDC Max (depending on model) at pin 6 will unlock the Electronic Lock. The Electronic Lock will remain unlocked until +VDC is removed.
- (*) PIN 2 & 3 ARE FOR INTERNAL USE ONLY. DO NOT USE.

WIRING SCHEMATIC



Lock Features	10EL – 38EL – 3135EL		2 Way – EL	5EL
	Model B	Model D*	Model B	Model D*
Power/Voltage	+5 to +24 VDC**	+5 to +24 VDC**	+6 to +24VDC**	+6 to +24VDC**
Current Stand By	< 100 Micro Amps	< 100 Micro Amps	< 100 Micro Amps	< 100 Micro Amps
Current Operating	50mA for 200ms @12VDC	50mA for 200ms @12VDC	375mA for 350ms @12VDC	375mA for 350ms @12VDC
Trigger	+ VDC @ Pin 6	+ VDC @ Pin 6	+ VDC @ Pin 6	+ VDC @ Pin 6
Drawer Status	✓		✓	
Secure Status	✓		✓	
Touch Release	✓	✓		

◆ Model D locks are not compatible with Senseon Plus



Accuride International Inc.

12311 Shoemaker Avenue
Santa Fe Springs, CA 90670

TEL (562) 903-0200

FAX (562) 903-0208

Manufacturing, Engineering, and Sales
United States • Germany • Japan •
Mexico • United Kingdom • China

WARNING: This product can expose you to chemicals including nickel, which is known to the State of California to cause cancer and birth defects or other reproductive harm. For more information go to www.P65Warnings.ca.gov.